

## TECHNICAL REPORT

**Issued To (Applicant/Client):**

**Program Description:**

Product Evaluation As Per Client's Requirements (Local Static Load Test)

**Product Information:**

Product Description: Storage Shelter

Model/Style: W20H12R



---

"The results contained in this report relate solely to the samples supplied by the client and identified in this report and are not indicative or representative of the quality or characteristics of (i) the lot from which these samples were taken or (ii) any other product which is similar to the samples tested. Testing was based on the instructions of the client, information provided by the client, and the test protocol(s) accepted by the client. The results set out in this report are valid only at the time that testing was performed by CSA CPE. This report is also governed by the CSA CPE Service Request and Agreement Form or Master Services Agreement as signed by the client. CSA CPE assumes no liability for any loss, expense or damage resulting from the use of this report, except as set out in such Service Request and Agreement Form or Master Services Agreement. CSA CPE assumes no liability to any third party. This report, and the results contained herein, are provided for the client's internal use only and shall not be published."



<b>RATING</b>	
<b>PASS</b>	<input checked="" type="checkbox"/>
<b>FAIL</b>	<input type="checkbox"/>

**Executive Summary:**

- 1) This was a witness test report. According to client's test methods and test requirements, only Storage Shelter (Frame) Local Static Load Test was conducted on manufacturer site.
- 2) The storage shelter (W20H12R) frame could withstand 2.3 kPa load with no failure. Refer to the testing results on page 5 for details.

Tested by:

Project Engineer  
CSA CPE Shanghai  
E-mail: [Walker.Lu@csagroup.org](mailto:Walker.Lu@csagroup.org)

Reviewed by:

Lab Manager  
CSA CPE Shanghai  
E-mail: [Wallace.Zhang@csagroup.org](mailto:Wallace.Zhang@csagroup.org)

"The results contained in this report relate solely to the samples supplied by the client and identified in this report and are not indicative or representative of the quality or characteristics of (i) the lot from which these samples were taken or (ii) any other product which is similar to the samples tested. Testing was based on the instructions of the client, information provided by the client, and the test protocol(s) accepted by the client. The results set out in this report are valid only at the time that testing was performed by CSA CPE. This report is also governed by the CSA CPE Service Request and Agreement Form or Master Services Agreement as signed by the client. CSA CPE assumes no liability for any loss, expense or damage resulting from the use of this report, except as set out in such Service Request and Agreement Form or Master Services Agreement. CSA CPE assumes no liability to any third party. This report, and the results contained herein, are provided for the client's internal use only and shall not be published."

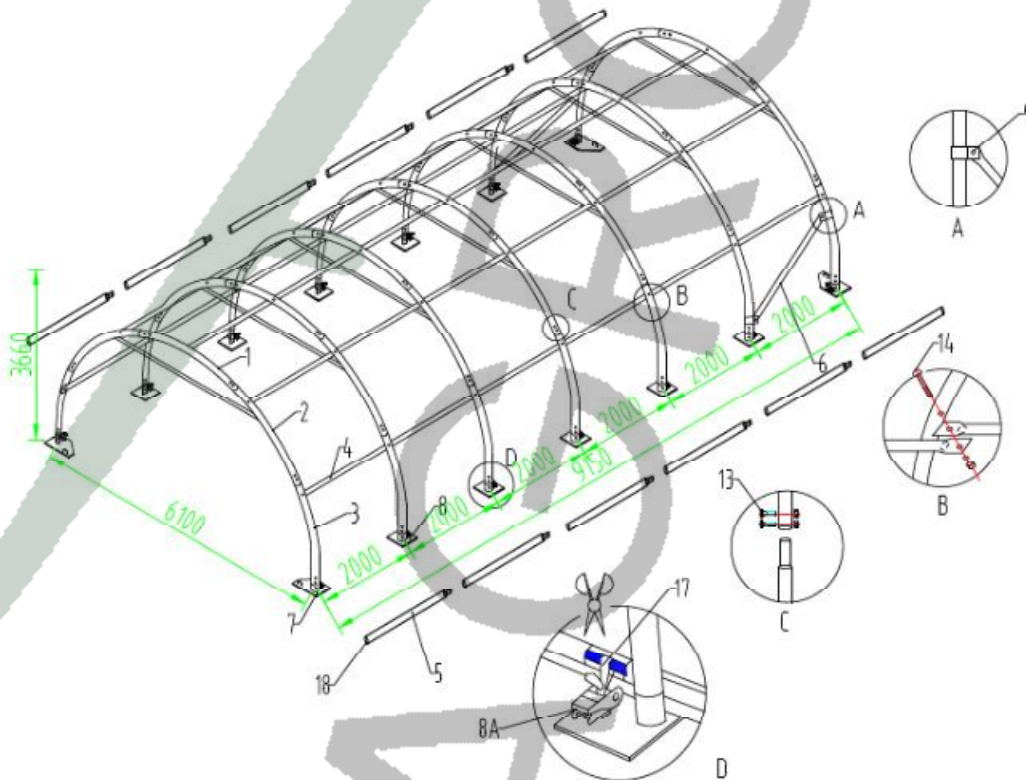
**Product Pictures:**



---

"The results contained in this report relate solely to the samples supplied by the client and identified in this report and are not indicative or representative of the quality or characteristics of (i) the lot from which these samples were taken or (ii) any other product which is similar to the samples tested. Testing was based on the instructions of the client, information provided by the client, and the test protocol(s) accepted by the client. The results set out in this report are valid only at the time that testing was performed by CSA CPE. This report is also governed by the CSA CPE Service Request and Agreement Form or Master Services Agreement as signed by the client. CSA CPE assumes no liability for any loss, expense or damage resulting from the use of this report, except as set out in such Service Request and Agreement Form or Master Services Agreement. CSA CPE assumes no liability to any third party. This report, and the results contained herein, are provided for the client's internal use only and shall not be published."

**Product Pictures:**



"The results contained in this report relate solely to the samples supplied by the client and identified in this report and are not indicative or representative of the quality or characteristics of (i) the lot from which these samples were taken or (ii) any other product which is similar to the samples tested. Testing was based on the instructions of the client, information provided by the client, and the test protocol(s) accepted by the client. The results set out in this report are valid only at the time that testing was performed by CSA CPE. This report is also governed by the CSA CPE Service Request and Agreement Form or Master Services Agreement as signed by the client. CSA CPE assumes no liability for any loss, expense or damage resulting from the use of this report, except as set out in such Service Request and Agreement Form or Master Services Agreement. CSA CPE assumes no liability to any third party. This report, and the results contained herein, are provided for the client's internal use only and shall not be published."